

Serial number.....

Production year.....



Co-operative of Workers
46 Boremlowska Str.
04-347 Warsaw/Poland
Phone (+ 48 22) 610-81-07 Service
Fax (+48 22) 610-55-36

06-04-2006

OPERATING INSTRUCTIONS

Catalogue number 20.135/ENG

HEMATOCRITE READER

16135



Read before use !

Table of contents

1. **Intended application.**
2. **Technical data.**
3. **Hematocrite read-out.**
4. **Cleaning, disinfection and maintenance.**
5. **Repair conditions.**
6. **Manufacturer information.**
7. **Distributor information.**

1. Intended application.

The reader is an instrument for determining the percentage volume of hematocrite HCT of red blood corpuscles in the blood centrifuged in capillaries. Hematocrite HCT it is relation between volume of red blood corpuscles contained in the blood sample and total capacity of blood sample. Its value is specified in percentage units and defines percentage of erythrocytes in plasma. Hematocrite value depends on number of erythrocytes and volume of plasma, so indirectly from irrigation ratio of organism.

2. Technical data.

The reader *No 16135* is an additional equipment for laboratory centrifuges with hematocrite rotors produced by MPW Med. instruments Co-operative of Workers.

The reader is suitable to read hematocrite from capillary which is long from 50 mm. up to 75 mm.

3. Hematocrite read – out.

Reader's slider indicator (Item No. 1 on Figure No. 1.) set up in No. **I** position - 100%. Capillary with the tested blood (Item No. 2 on Figure No. 1.) are to be placed in the channel on the indicator so that the further blood column matches the horizontal line on the slider indicator. The arm (Item No. 3 on Figure No. 1.) is to be set so, that line cut thereon matches with the upper level of blood column. Next shift the indicator to the left (No. **II** position) to the moment when the division line of red corpuscles and plasma in capillary matches with the line on the arm. The thus attained position of the indicator determines the percentage content of red corpuscles in the examined blood sample.

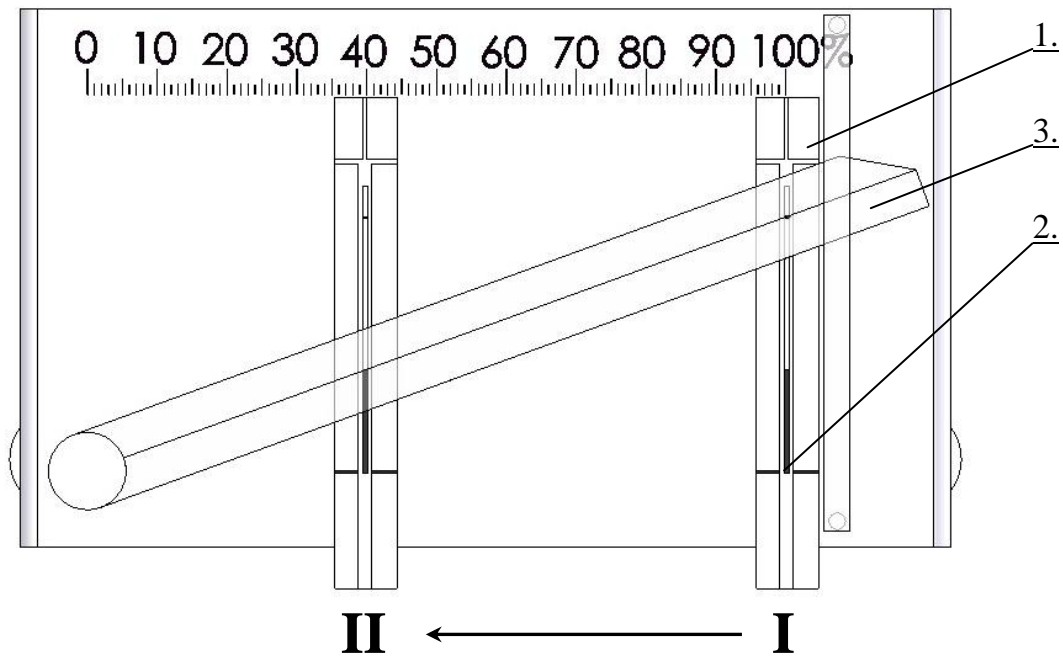


Figure. 1. Reader Operating Schematic.



Figure. 2. General view

4. Cleaning, disinfection and maintenance.

Use water with soap or other mild water-soluble cleaning agents for cleaning. Avoid corrosive and chemically aggressive agents. Do not use alkaline solutions, aggressive solvents or agents containing abrasive particles.

Chemical reactions and erosion can cause corrosion and damage to metals. The microcracks on the material surface become larger and reduce the strength of the material without visible symptoms. It is particularly the aluminium parts that are affected by corrosion. For cleaning these parts use a very neutral agent with pH 6÷8. Do not use alkaline agents with pH above 8. The service life will be extended in this way and the susceptibility to corrosion will be reduced.

Corrosion and damage caused by insufficient maintenance cannot be the basis of any claims made to the manufacturer.

All standard disinfecting agents used normally in the health care sector can be used.

The user is responsible for disinfecting properly, if a dangerous material has been spilled outside the unit.

Always wear protective gloves when performing the work described above.

5. Repair conditions.

The manufacturer grants the buyer a warranty on the conditions specified in the warranty card. The buyer loses the right to warranty repair if the unit is used contrary to the operating instructions, the unit is damaged by the user's fault or the warranty card is lost. Repairs shall be performed by specialised service centres certified by MPW.

Information about authorised service centres is provided in the warranty card. Please contact your distributor or the manufacturer for information about servicing the unit abroad.

6. Manufacturer information.

“MPW Med. instruments”,
04-347 Warsaw,
46, Boremlowska Street

Phone (+48 22) 610 56 67; (+48 22) 610 56 21;
Service (+48 22) 610 81 07;
Exchange (+48 22) 610 50 14;
Fax (+48 22) 610 55 36;

Internet <http://www.mpw.pl>
E-mail mpw@mpw.pl

7. Distributor information.

<p>YOUR DISTRIBUTOR:</p> <div style="border: 1px solid black; height: 80px; width: 100%;"></div>
